

HOW TO READ PRODUCT "SKU" :

MIDDLE SECTION REPRESENTS "BLADE SIZE"
(EXAMPLE: 24 = 24/32" [3/4"] 48 = 48/32" [1 1/2"])

FIRST TWO LETTERS
REPRESENT
"PRODUCT TYPE"

REPRESENTS NUMBER
OF BLADES PER 12"
WIDE PANEL

WG-2448-4WB

"SKU" ABBREVIATIONS:

WG = GEOPANEL GRILLE

REPRESENTS BACKER

WB = WOOD BACKER

DWB= DOWELED & WOOD BACKER

FB= FLEXIBLE BACKER

RWB= RADIAL WOOD BACKER

PRODUCT NOTES:

GEOPANEL GRILLES ARE MANUFACTURED IN PANELS 12" IN WIDTH.

GEOPANEL GRILLES ARE AVAILABLE IN LENGTHS OF 8' OR 10' (VENEER ONLY).
SOLID WOOD ARE AVAILABLE IN LENGTHS UP TO 10', TYPICALLY SUPPLIED IN 1' INCREMENTS.

CONTACT GEOMETRIK FOR INFORMATION REGARDING CUSTOM SIZES.

GRILLES ARE CONSTRUCTED 1" SHORT OF EVEN QUOTED FOOT TO ALLOW FOR REQUIRED 1"
EXPANSION REVEAL BETWEEN PANELS UPON INSTALLATION.
EXAMPLE: 8' QUOTED LENGTH = 7'-11" GEOPANEL GRILLE.



	SKU #	BLADE SIZE	# OF BLADES		SKU #	BLADE SIZE	# OF BLADES
	WG-4040-4WB	D x TH 1 1/4" X 1 1/4"	4		WG-2496-2WB	3" X 3/4"	2
	WG-2448-4WB	1 1/2" X 3/4"	4		WG-2448-6WB	1 1/2" X 3/4"	6
	WG-2464-4WB	2" X 3/4"	4		WG-2464-6WB	2" X 3/4"	6
	WG-2480-4WB	2 1/2" X 3/4"	4		WG-2480-6WB	2 1/2" X 3/4"	6
	WG-2496-4WB	3" X 3/4"	4		WG-2496-6WB	3" X 3/4"	6
	WG-44104-4WB	3 1/4" X 1 3/8"	4				



www.geometrik.com info@geometrik.com

Description:
STANDARD CONFIGURATIONS

Product:
GEOPANEL GRILLE

Date: JAN 2018

Drawn By: MP

Sheet No:

WG1.1

	SKU #	BLADE SIZE	# OF BLADES		SKU #	BLADE SIZE	# OF BLADES
	WG-2448-7WB	1 1/2" X 3/4"	7		WG-2448-10WB	1 1/2" X 3/4"	10
	WG-2444-8WB	1 3/8" X 3/4"	8		WG-2480-8WB	2 1/2" X 3/4"	8
	WG-2448-8WB	1 1/2" X 3/4"	8				
	WG-2464-8WB	2" X 3/4"	8				



www.geometrik.com info@geometrik.com

Description:
**STANDARD
CONFIGURATIONS**

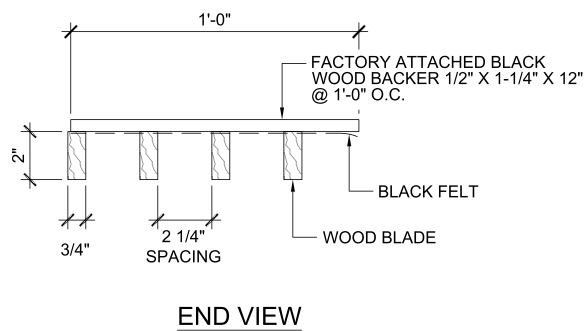
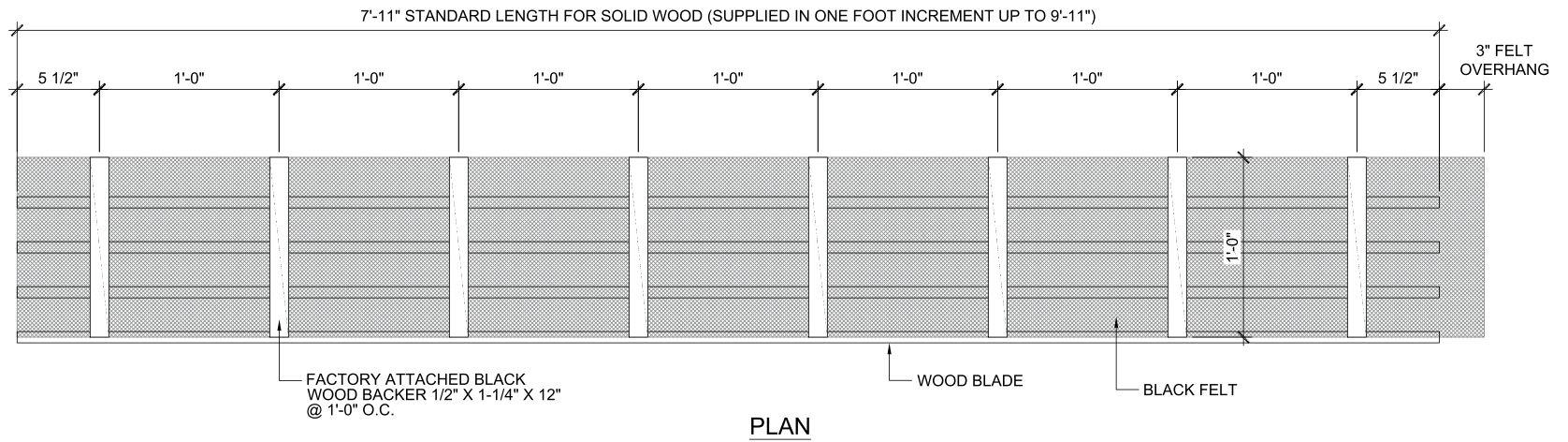
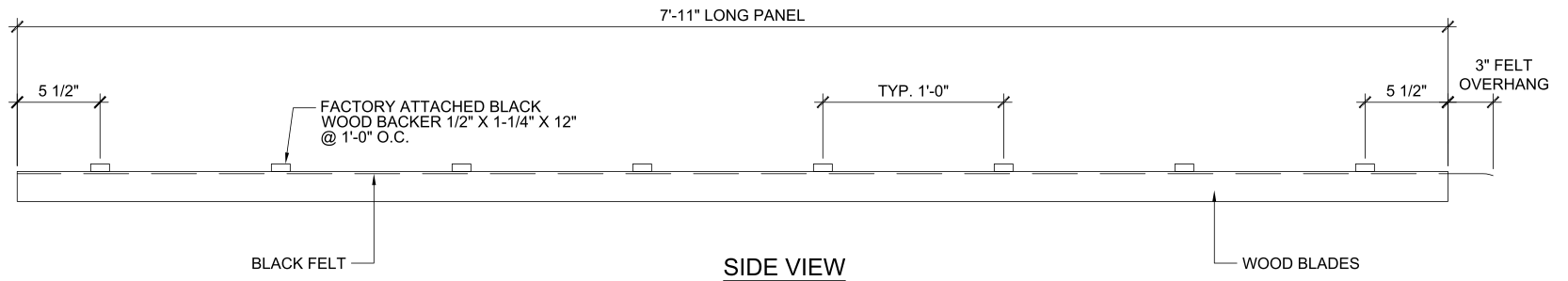
Product:
GEOPANEL GRILLE

Date: JAN 2018

Drawn By: MP

Sheet No:

WG1.2



GEOPANEL GRILLE



www.geometrik.com info@geometrik.com

Description:
STANDARD CONFIGURATION

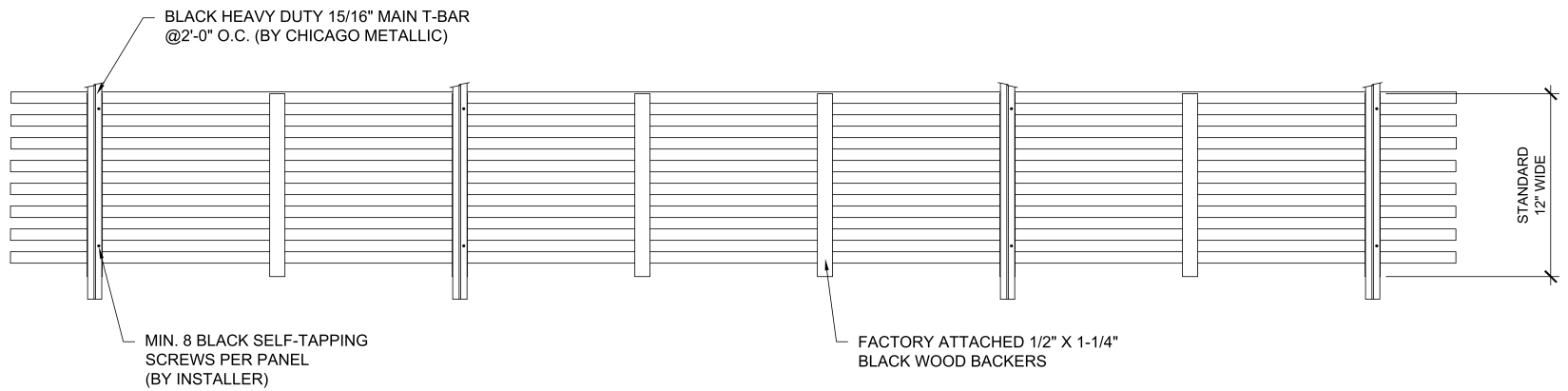
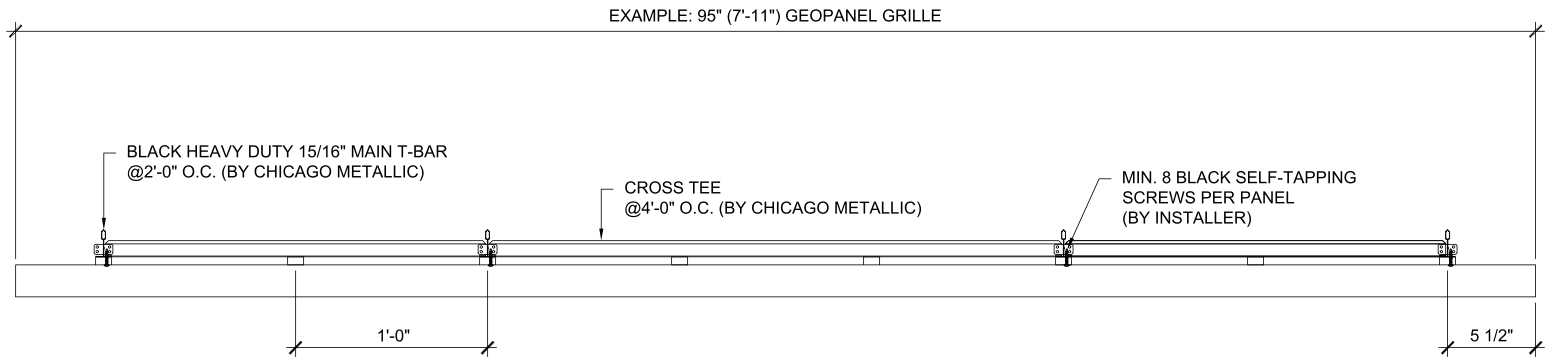
Product:
GEOPANEL GRILLE

Date: JAN 2018

Drawn By: MP

Sheet No:

WG1.3



www.geometrik.com info@geometrik.com

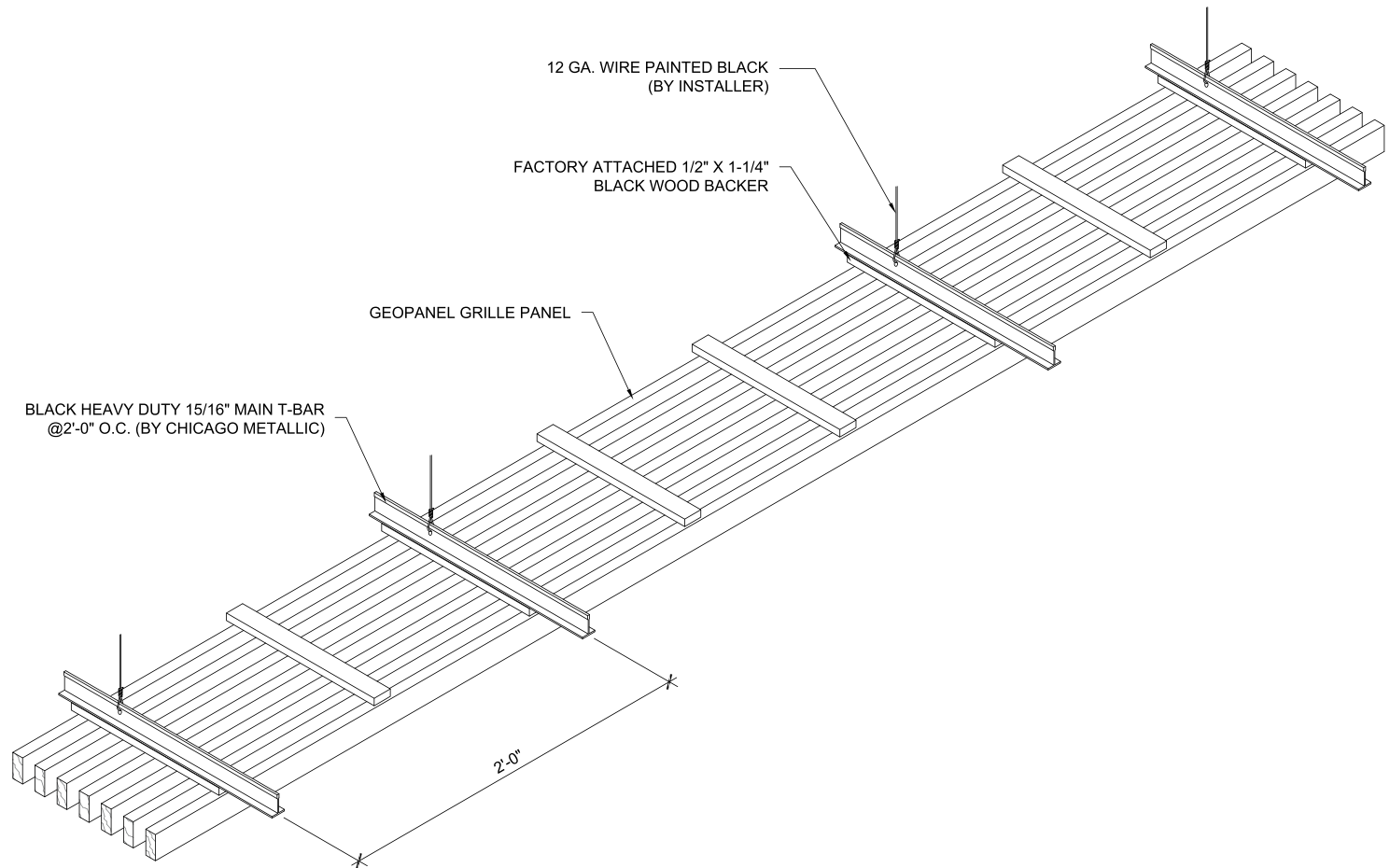
Description:
STANDARD
CONFIGURATION

Product:
GEOPANEL GRILLE

Date: JAN 2018 Drawn By: RC/MP

Sheet No:

WG1.4



www.geometrik.com info@geometrik.com

Description:
STANDARD
ISOMETRIC

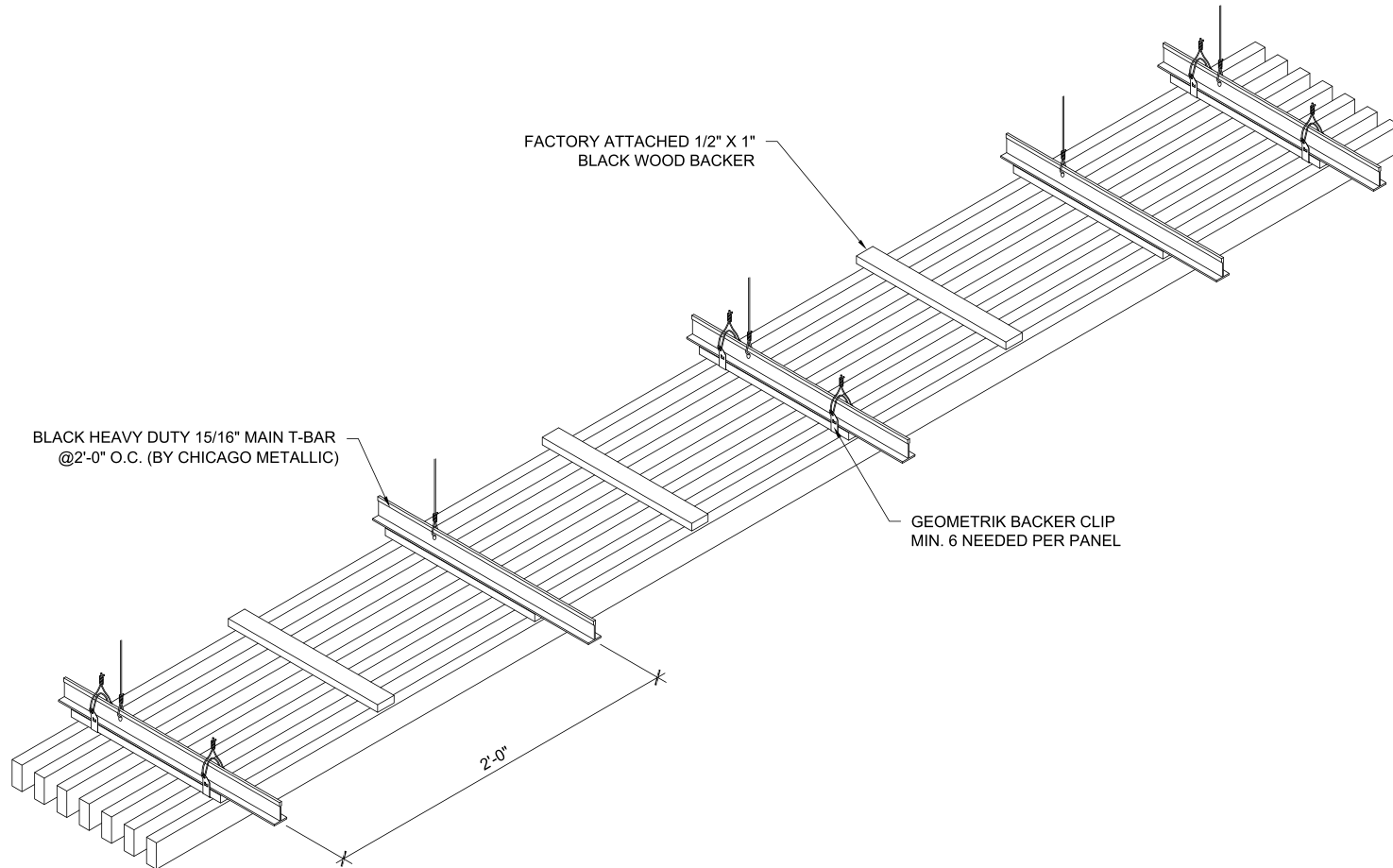
Product:
GEOPANEL GRILLE

Date: JAN 2018

Drawn By: RC

Sheet No:

WG1.5



www.geometrik.com info@geometrik.com

Description:
**OPTIONAL
 BACKER CLIP
 ISOMETRIC**

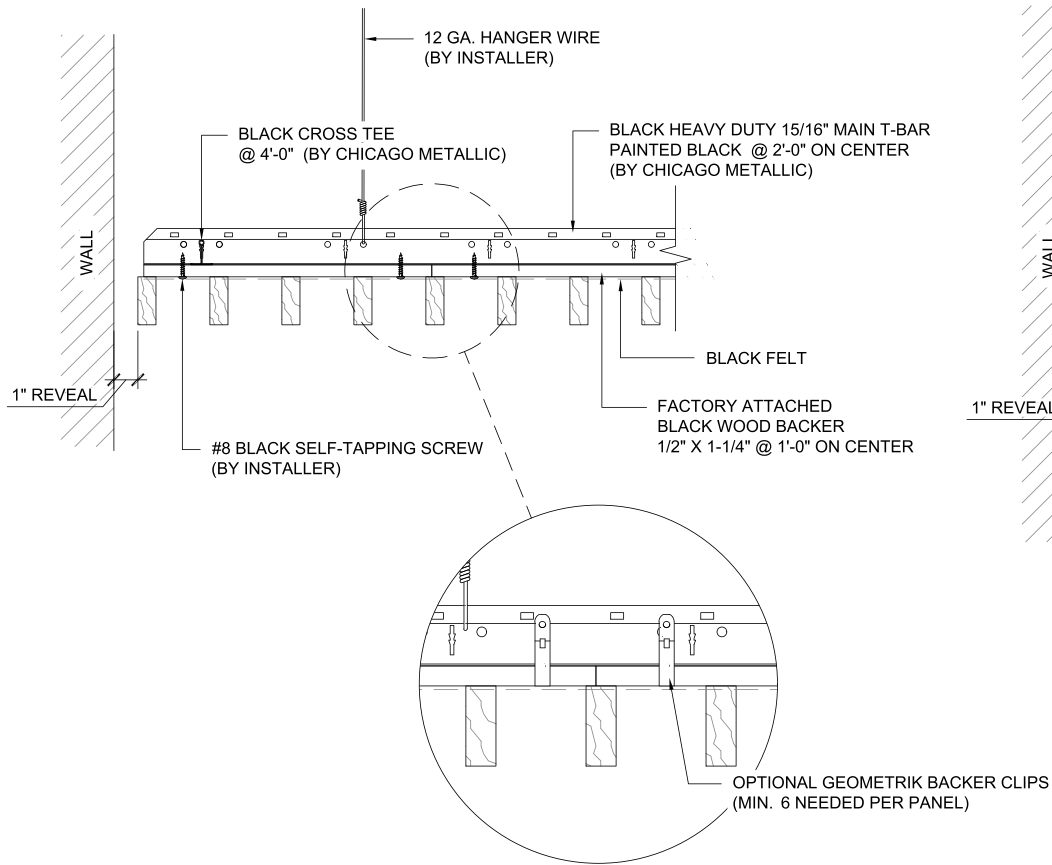
Product:
GEOPANEL GRILLE

Date: JAN 2018

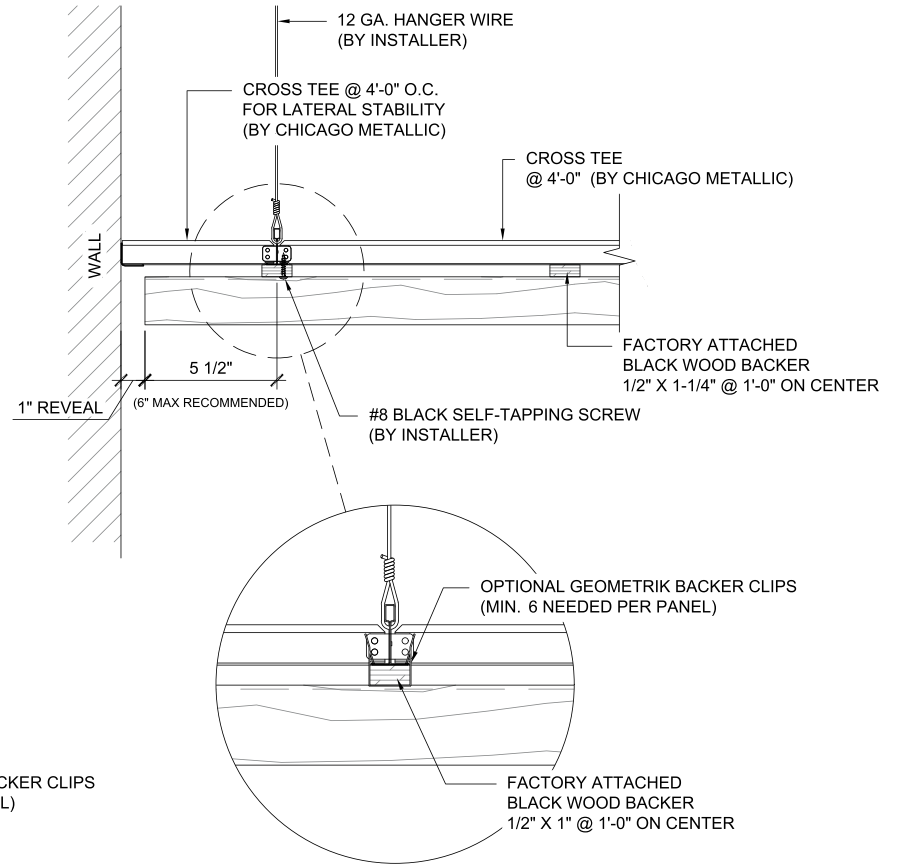
Drawn By: RC

Sheet No:

WG1.6



OPTIONAL BACKER CLIP INSTALLATION



OPTIONAL BACKER CLIP INSTALLATION



www.geometrik.com info@geometrik.com

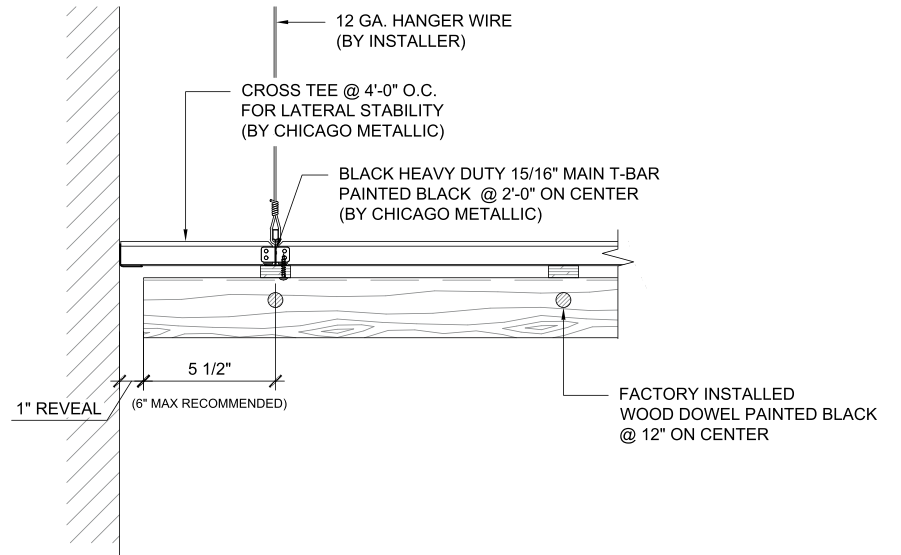
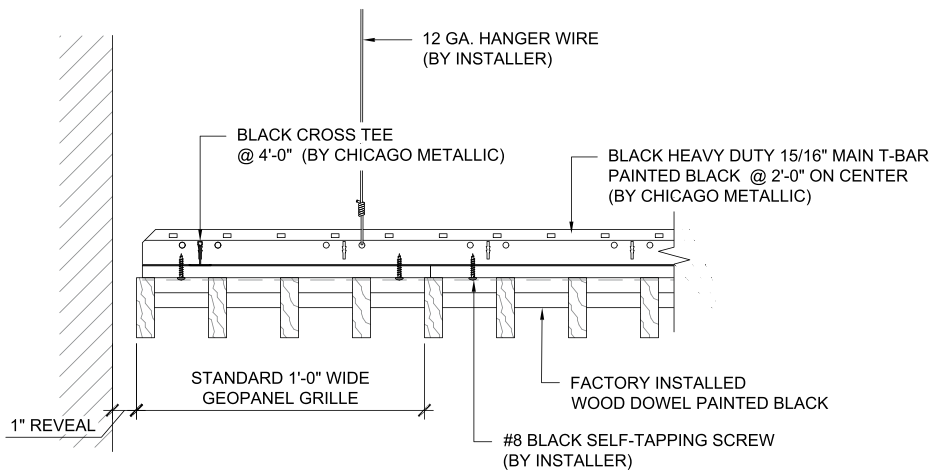
Description:
**SCREW
INST. DETAIL**

Product:
GEOPANEL GRILLE

Date: JAN 2018 Drawn By: MP

Sheet No:

WG.2.0



www.geometrik.com info@geometrik.com

Description:
**GEOPANEL GRILLE
 W/ WOOD DOWELS**

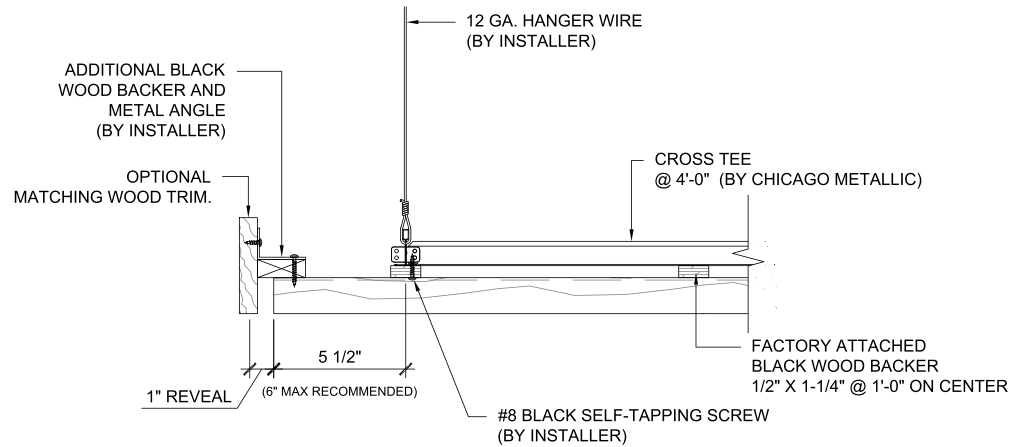
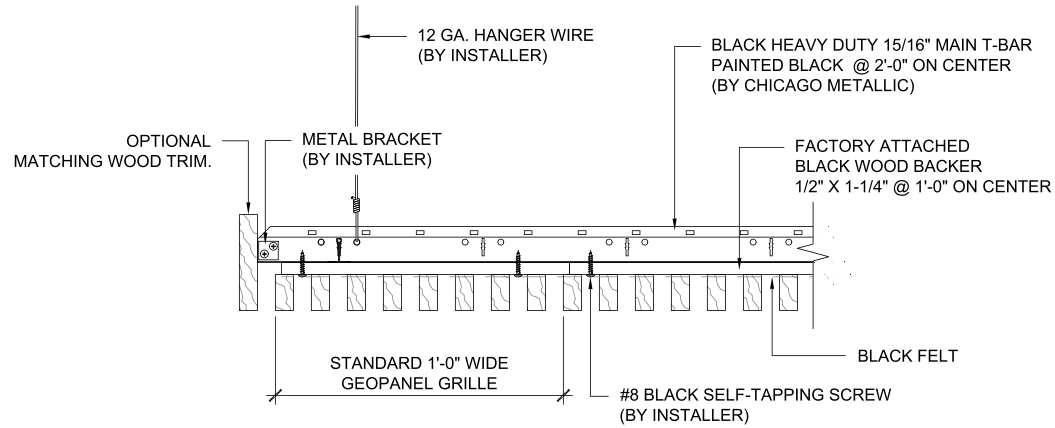
Product:
GEOPANEL GRILLE

Date: JAN 2018

Drawn By: MP

Sheet No:

WG.2.1



www.geometrik.com info@geometrik.com

Description:
OPTIONAL PERIMETER TRIM DETAIL

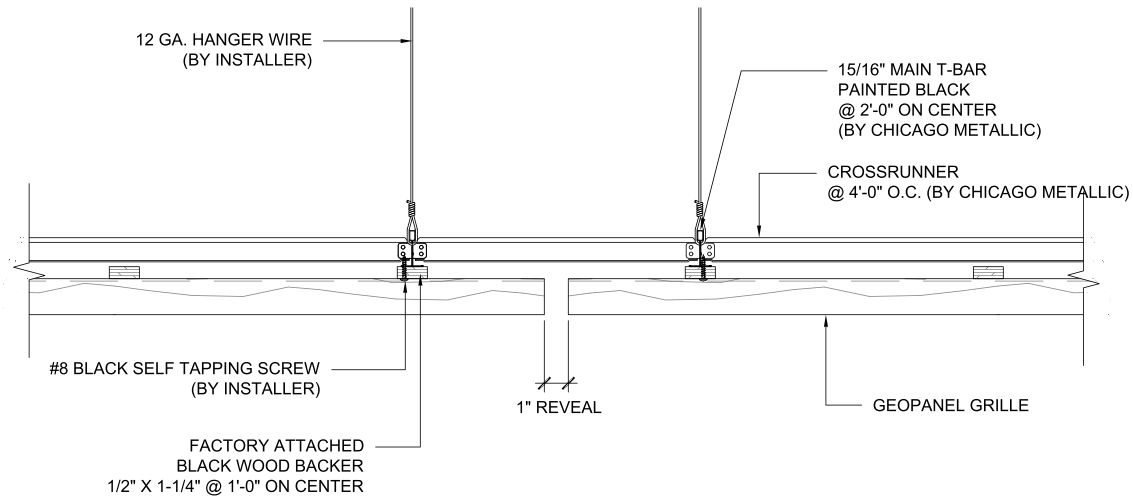
Product:
GEOPANEL GRILLE

Date: JAN 2018

Drawn By: MP

Sheet No:

WG2.2



www.geometrik.com info@geometrik.com

Description:
WOOD GRILLE
TYPICAL REVEAL

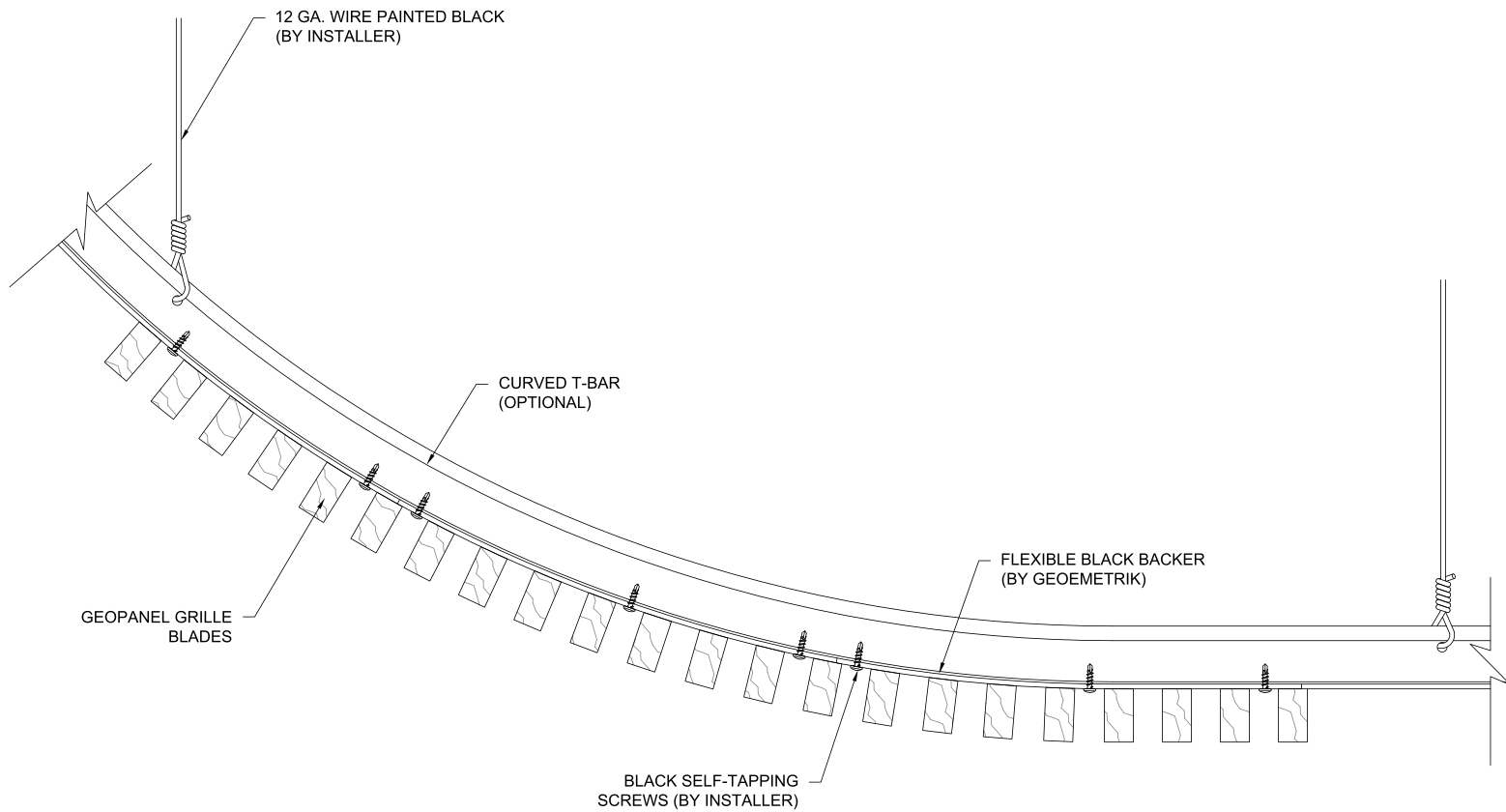
Product:
GEOPANEL GRILLE

Date: JAN 2018

Drawn By: RC

Sheet No:

WG2.3



www.geometrik.com info@geometrik.com

Description:
**CURVED
TYPICAL INST.**

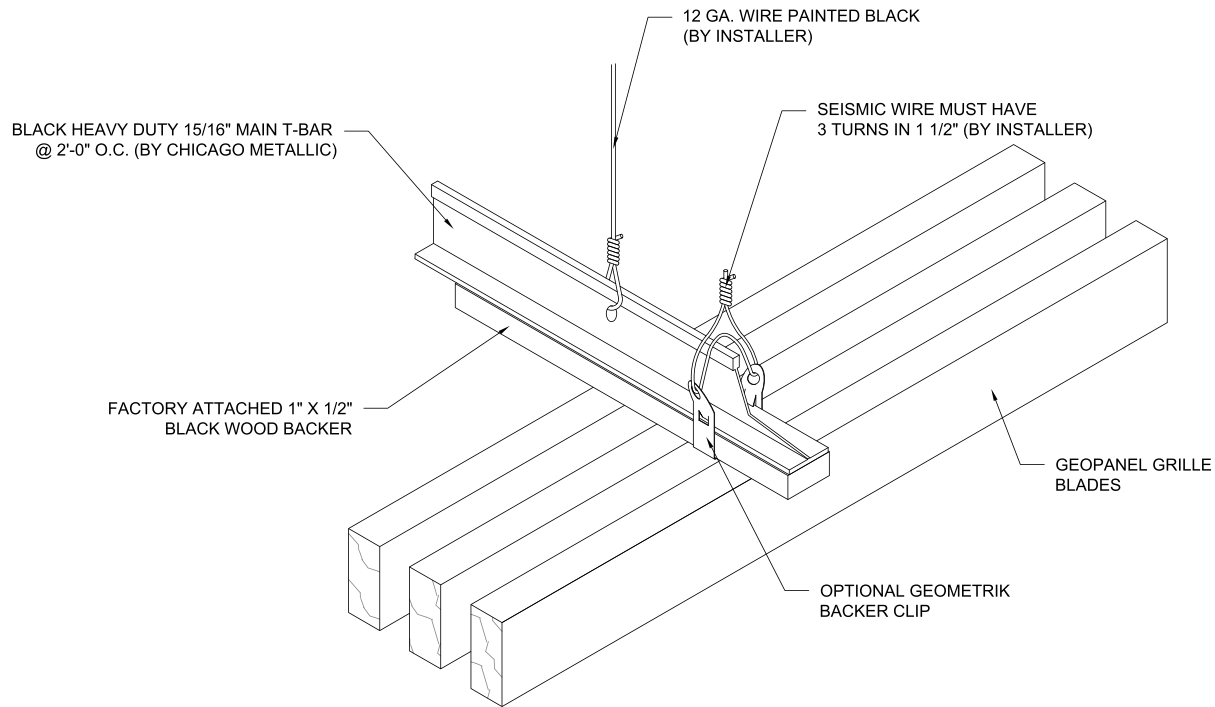
Product:
GEOPANEL GRILLE

Date: JAN 2018

Drawn By: RC

Sheet No:

WG2.4



www.geometrik.com info@geometrik.com

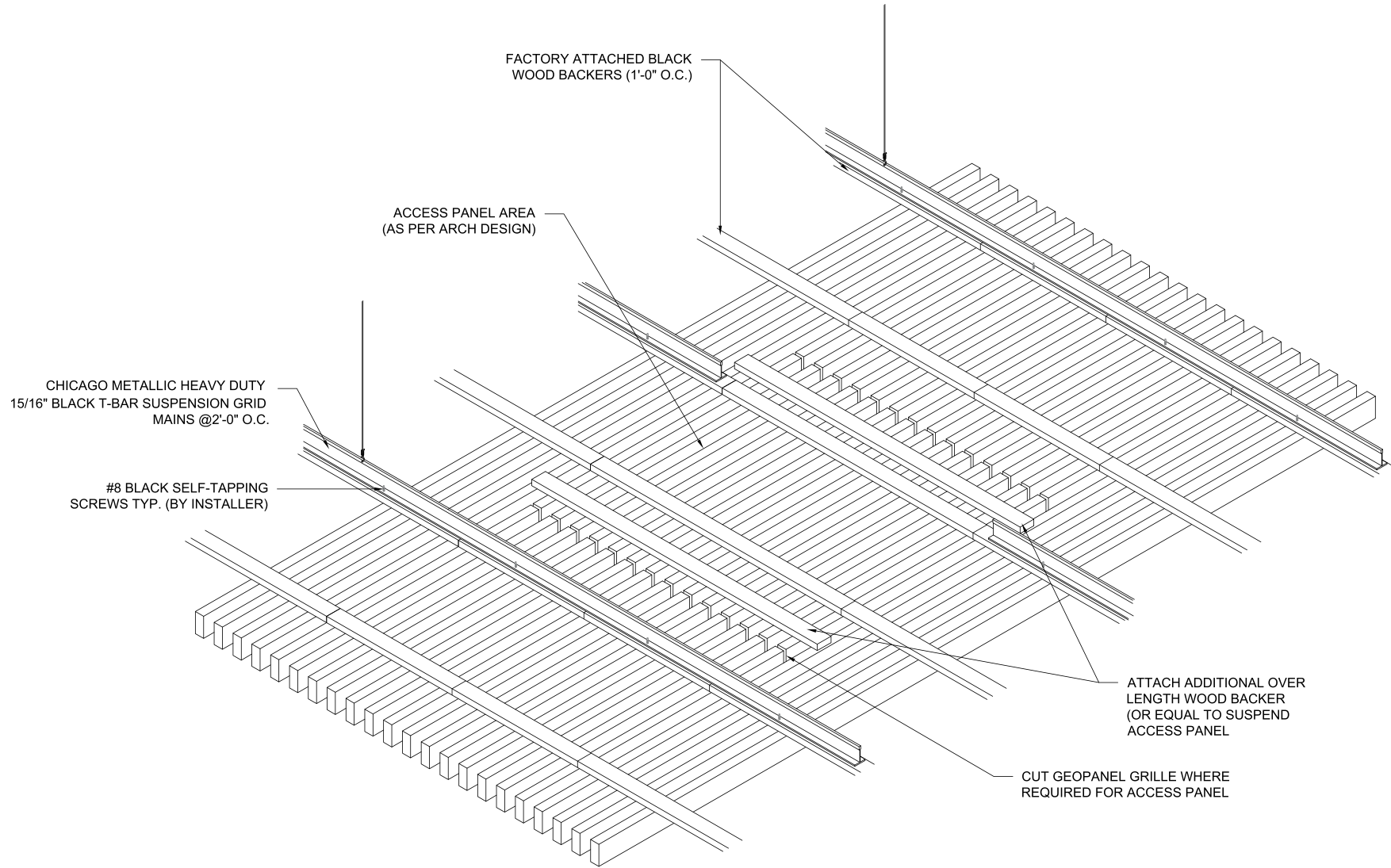
Description:
**OPTIONAL
 BACKER CLIP
 PLACEMENT SEISMIC**

Product:
GEOPANEL GRILLE

Date: JAN 2018 Drawn By: RC

Sheet No:

WG2.5



www.geometrik.com info@geometrik.com

Description:
ACCESS PANEL
DETAIL

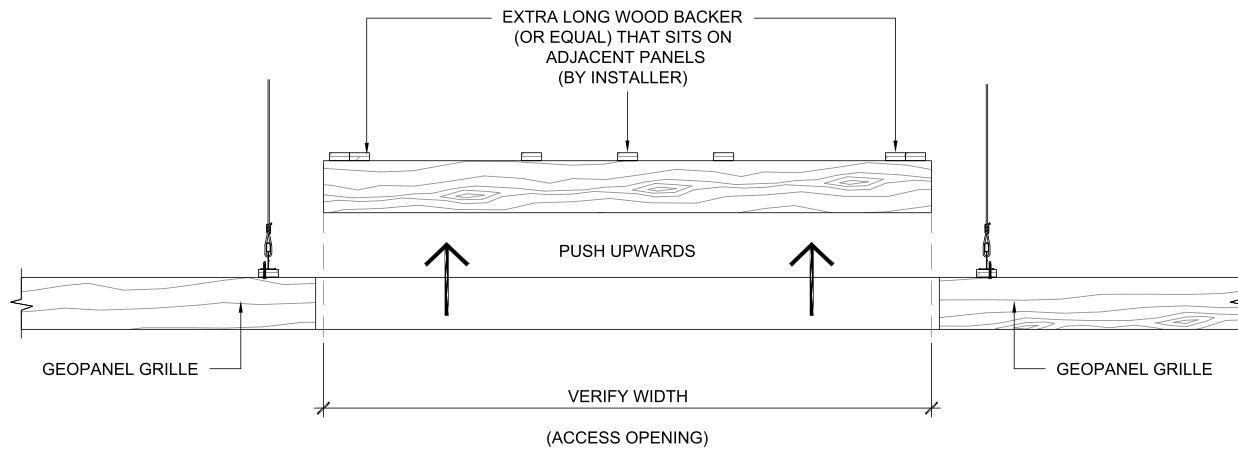
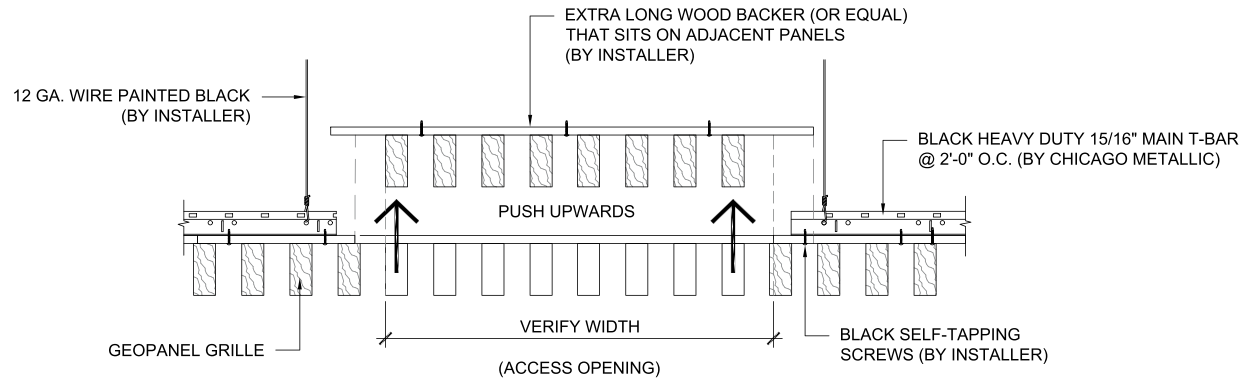
Product:
GEOPANEL GRILLE

Date: JAN 2018

Drawn By: RC

Sheet No:

WG3.0



www.geometrik.com info@geometrik.com

Description:
ACCESS PANEL
DETAIL

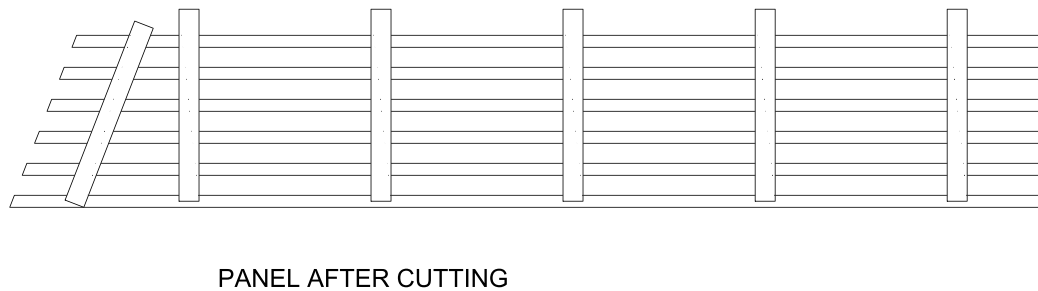
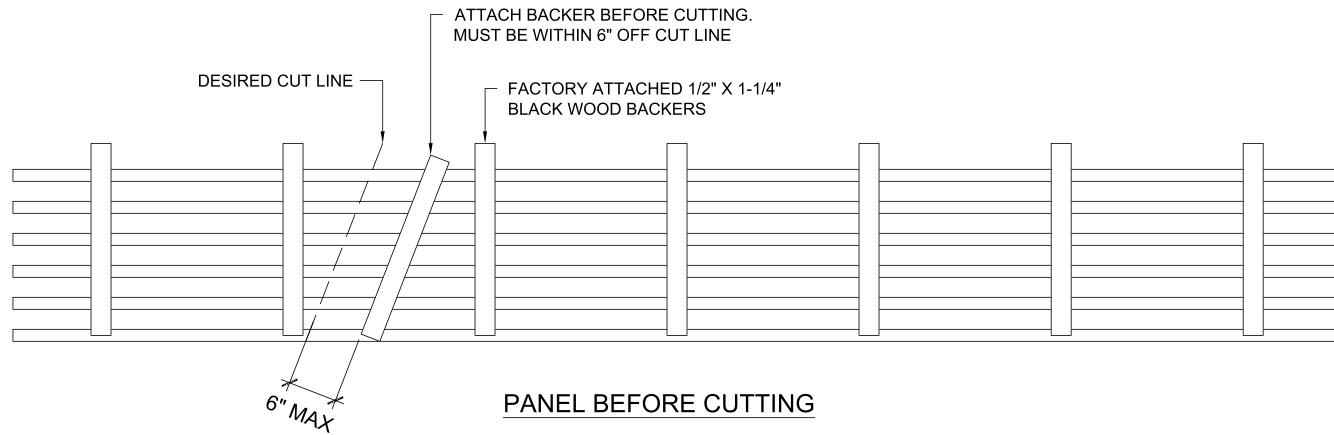
Product:
GEOPANEL GRILLE

Date: JAN 2018

Drawn By: RC/DC

Sheet No:

WG3.1



www.geometrik.com info@geometrik.com

Description:
FIELD CUTTING
PROCEDURES

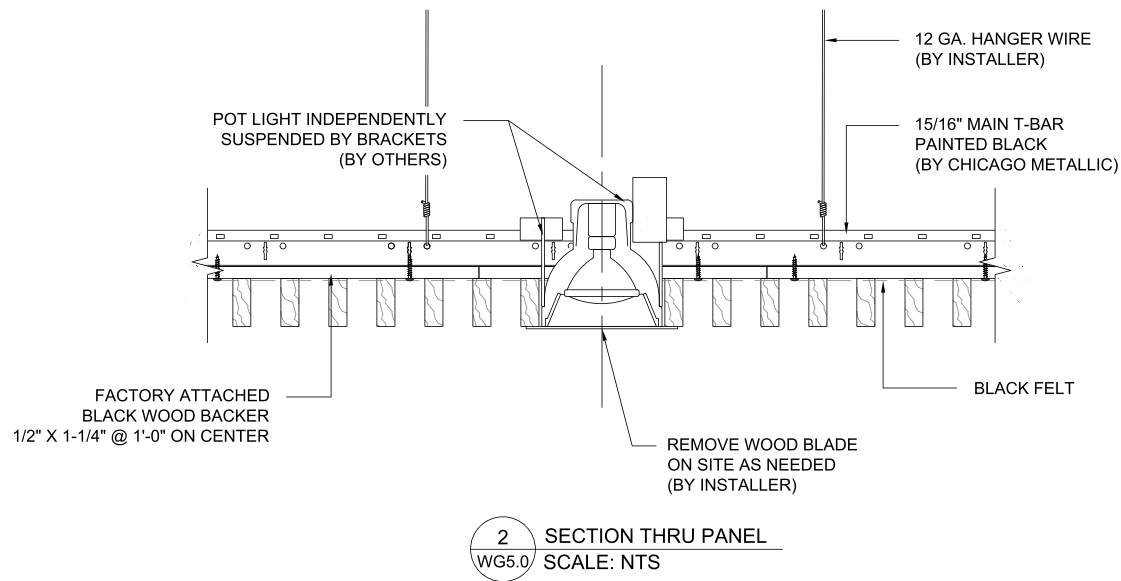
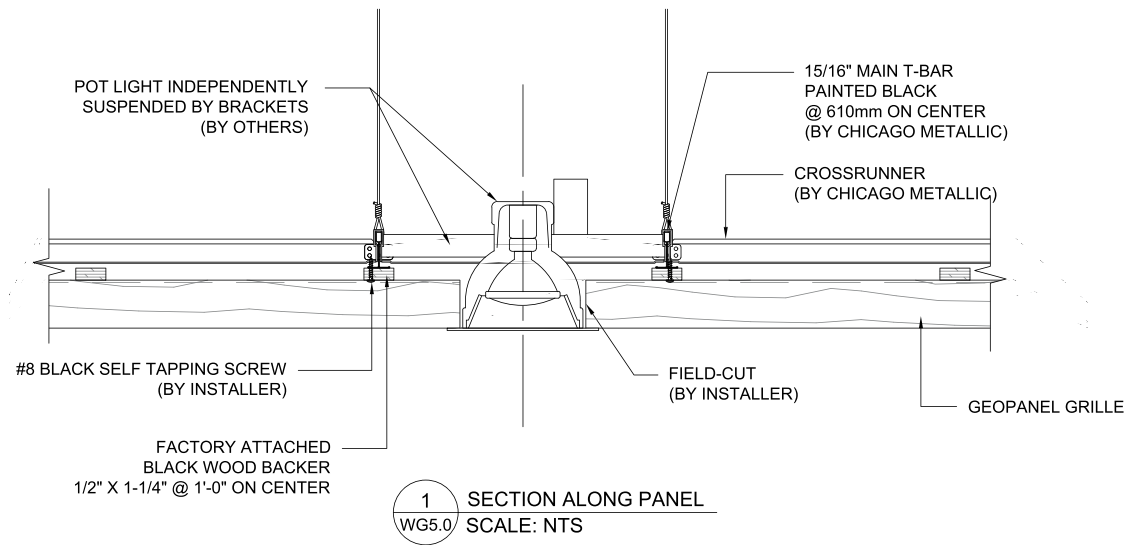
Product:
GEOPANEL GRILLE

Date: JAN 2018

Drawn By: MP

Sheet No:

WG4.0



www.geometrik.com info@geometrik.com

Description:
**POT LIGHT
INSTALLATION DETAIL**

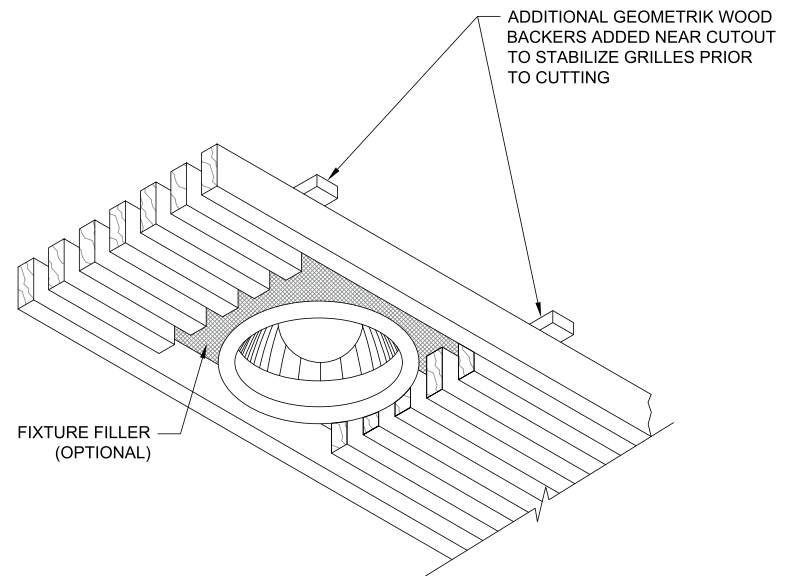
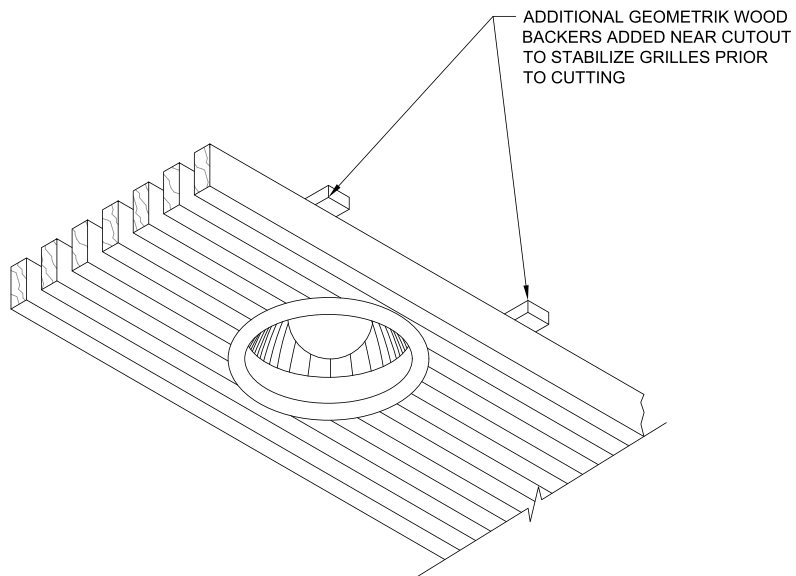
Product:
GEOPANEL GRILLE

Date: JAN 2018

Drawn By: MP

Sheet No:

WG5.0



WOOD GRILLE FIELD CUT BY INSTALLER AS PER APPLICATION



www.geometrik.com info@geometrik.com

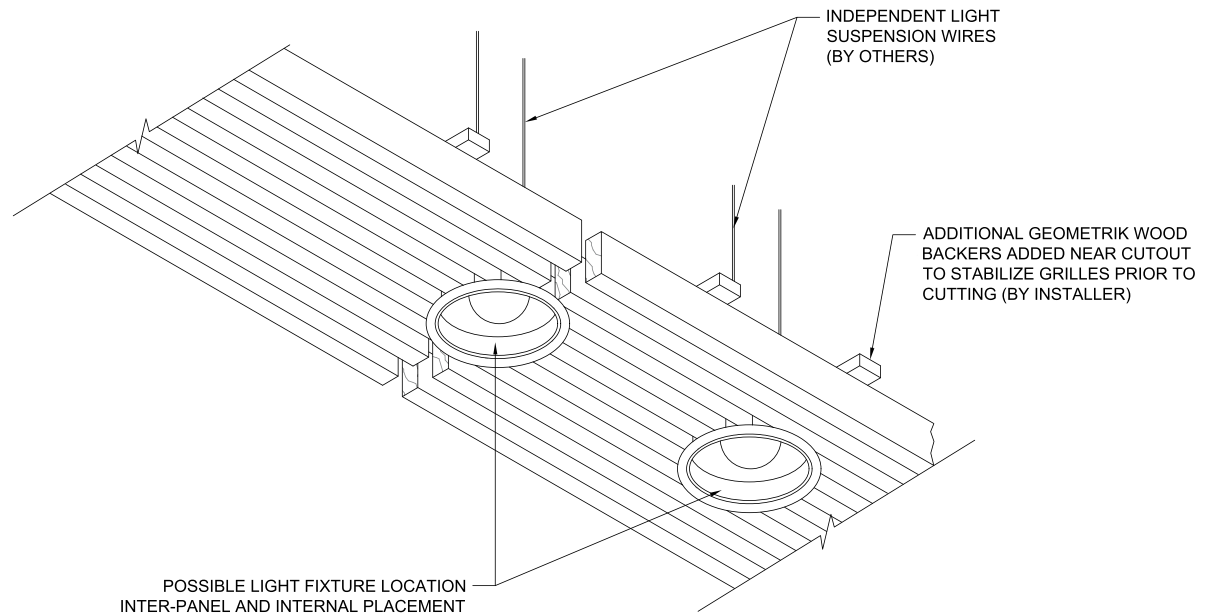
Description:
**POT LIGHT
 INSTALLATION
 FIXTURE FILLER**

Product:
GEOPANEL GRILLE

Date: JAN 2018 Drawn By: RC/DC

Sheet No:

WG5.1



www.geometrik.com info@geometrik.com

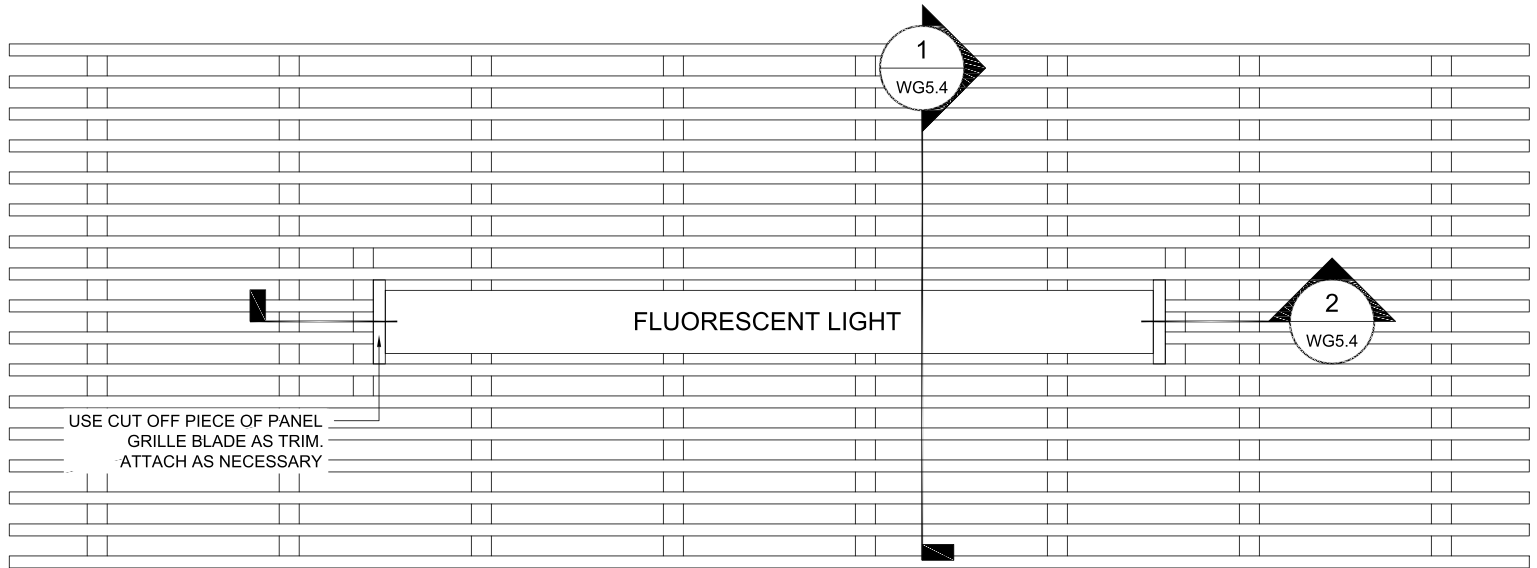
Description:
**POT LIGHT
 INSTALLATIONDETAIL
 ISOMETRIC - NO INSERT**

Product:
GEOPANEL GRILLE

Date: JAN 2018 Drawn By: RC

Sheet No:

WG5.2



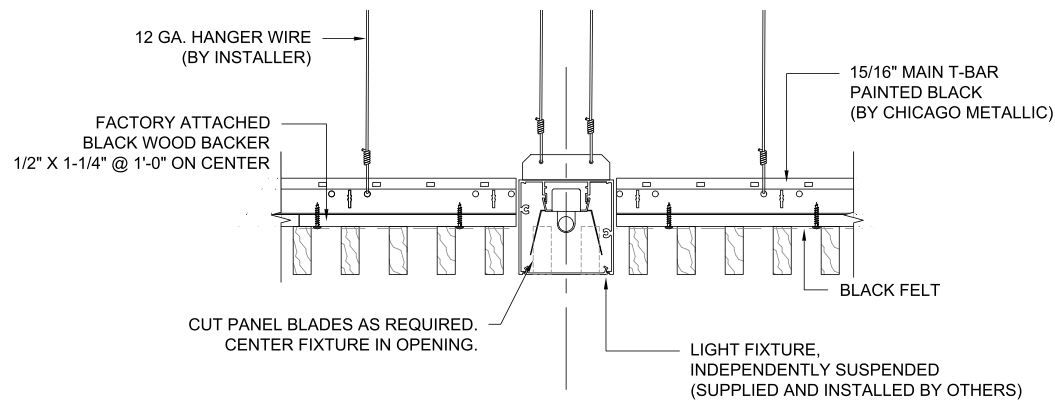
www.geometrik.com info@geometrik.com

Description:
**FLUORESCENT LIGHT
 PLAN VIEW**

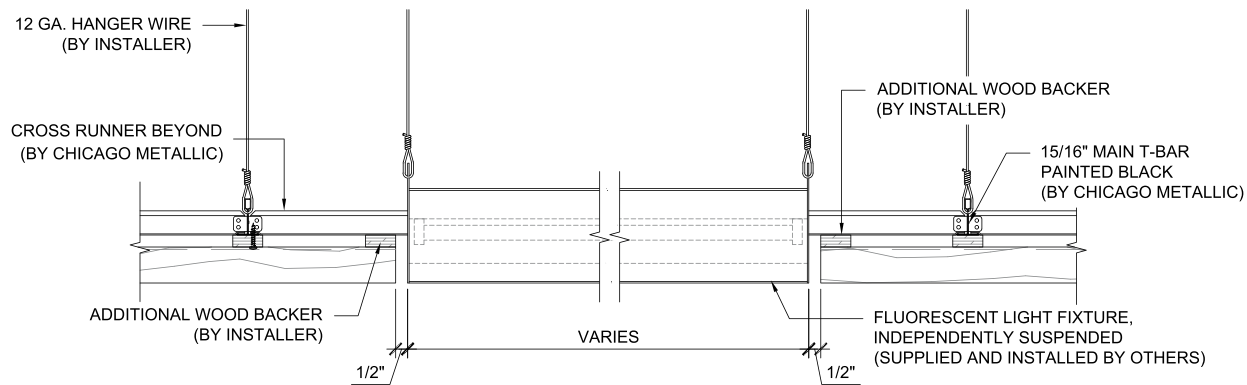
Product:
GEOPANEL GRILLE

Date: JAN 2018 Drawn By: MP

Sheet No:
WG5.3



1 SECTION THRU PANEL
WG5.3 SCALE: NTS



2 SECTION ALONG PANEL
WG5.3 SCALE: NTS



www.geometrik.com info@geometrik.com

Description:
FLUORESCENT LIGHT SECTIONS

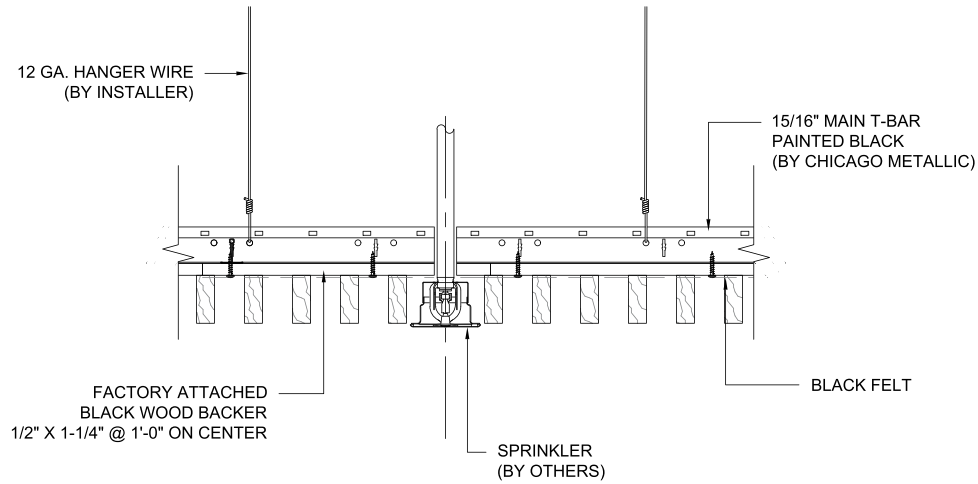
Product:
GEOPANEL GRILLE

Date: JAN 2018

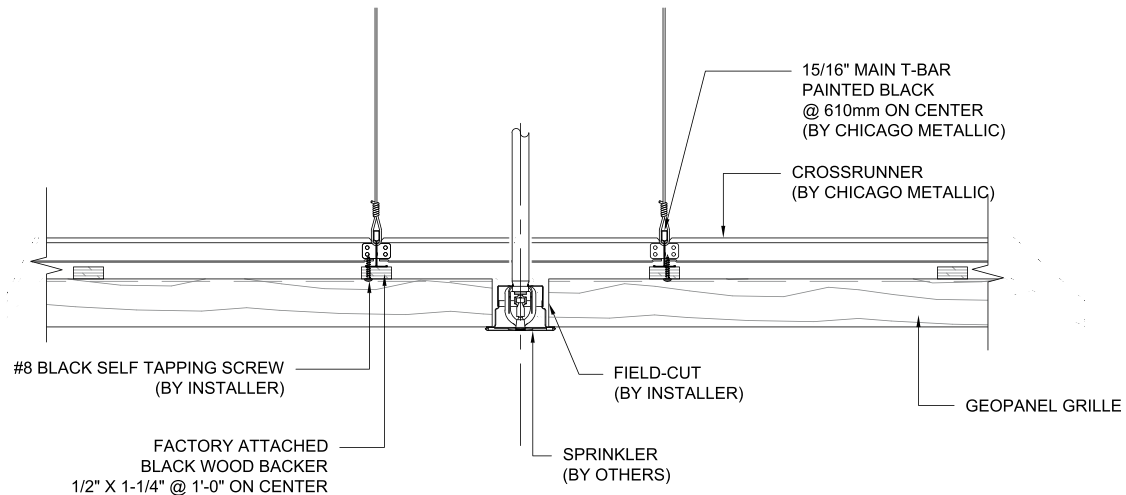
Drawn By: MP

Sheet No:

WG5.4



SECTION THRU PANEL
SCALE: NTS



SECTION ALONG PANEL
SCALE: NTS



www.geometrik.com info@geometrik.com

Description:
SPRINKLER

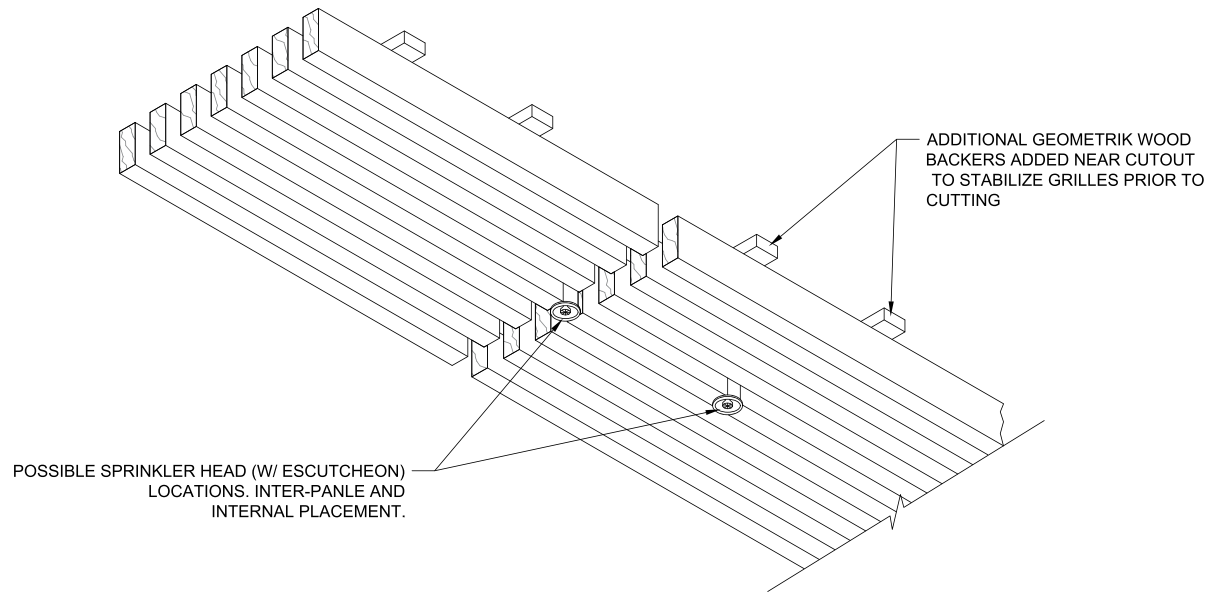
Product:
GEOPANEL GRILLE

Date: JAN 2018

Drawn By: RC/MP

Sheet No:

WG6.0



WOOD GRILLE FIELD CUT BY INSTALLER AS PER APPLICATION



www.geometrik.com info@geometrik.com

Description:
**SPRINKLER
INSALLATION**

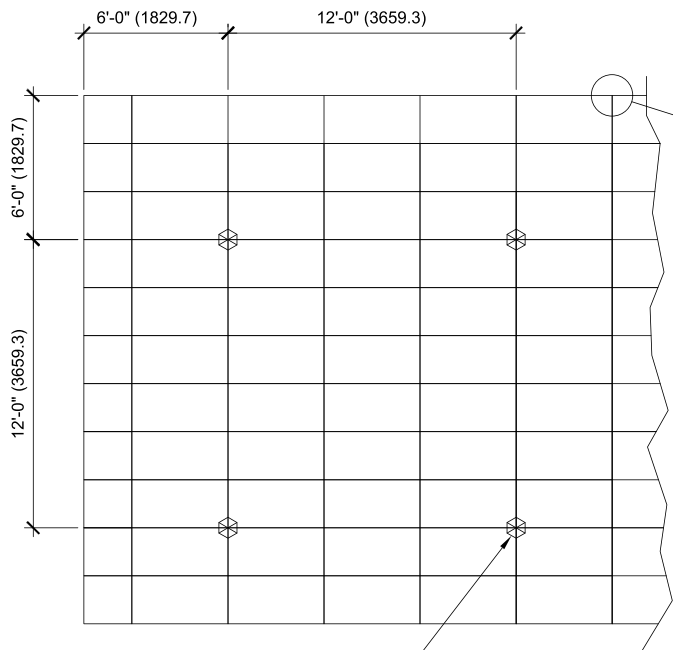
Product:
GEOPANEL GRILLE

Date: JAN 2018

Drawn By: RC

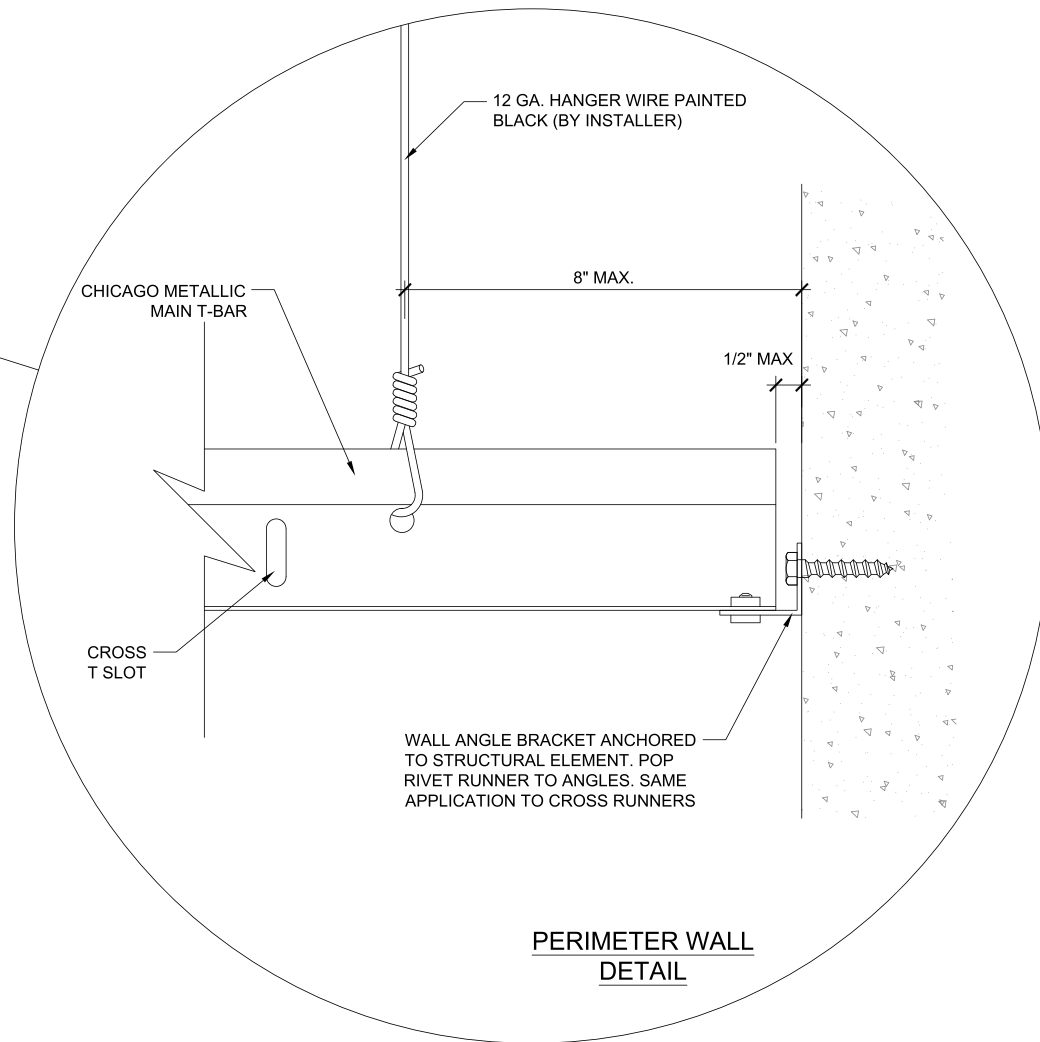
Sheet No:

WG6.1



CEILING RESTRAINT

CEILING GRID LAYOUT



PERIMETER WALL DETAIL



www.geometrik.com info@geometrik.com

Description:
**SEISMIC BRACING
GRID PLAN**

Product:
GEOPANEL GRILLE

Date: JAN 2018

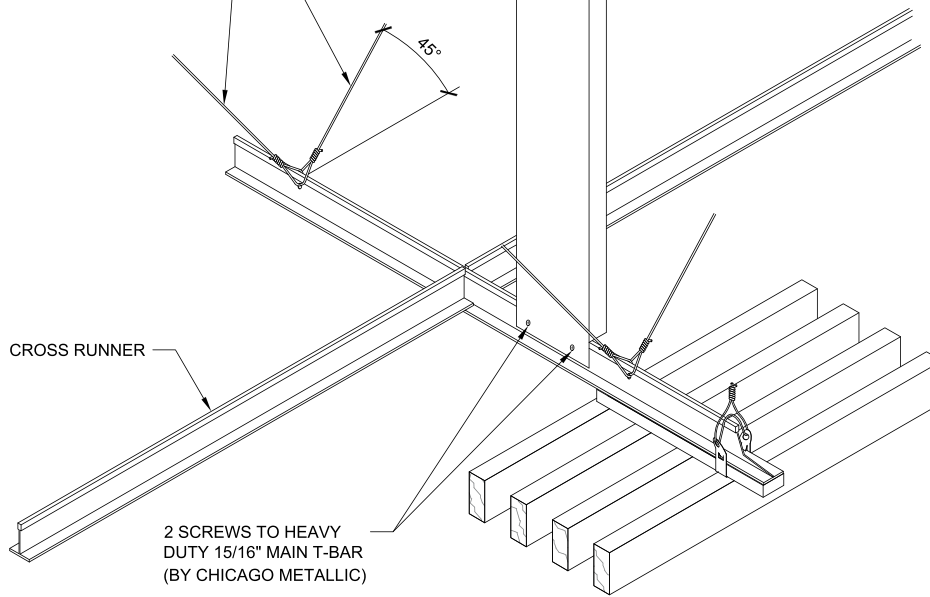
Drawn By: RC

Sheet No:

WG7.0

2 - 12 GA. WIRE BRACES IN PLANE OF EACH T-BAR MAIN AND 2 IN PLANE OF CROSS RUNNER. VERTICAL ANGLES OR 45°.

3-1/2" X 20 GA. STEEL STUD COMPRESSION MEMBER



CROSS RUNNER

2 SCREWS TO HEAVY DUTY 15/16" MAIN T-BAR (BY CHICAGO METALLIC)



www.geometrik.com info@geometrik.com

Description:
SEISMIC BRACING
CEILING DETAIL

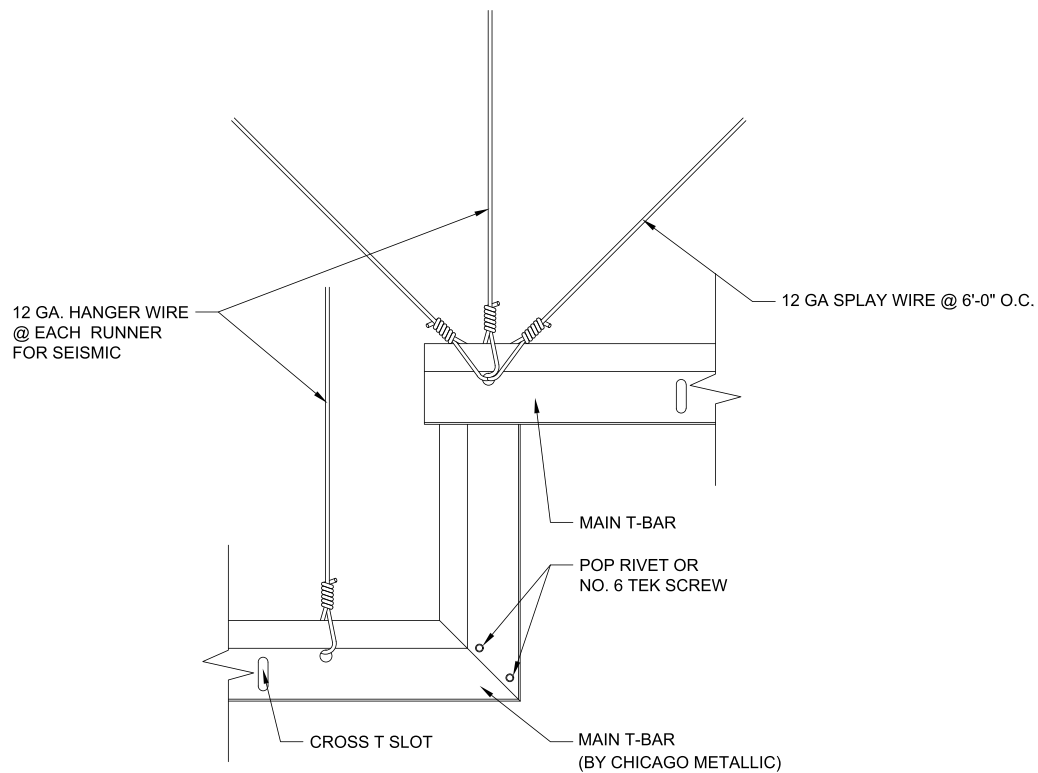
Product:
GEOPANEL GRILLE

Date: JAN 2018

Drawn By: RC

Sheet No:

WG7.1



NOTE:
 WALL ANGLE BRACKET ANCHORED TO STRUCTURAL ELEMENT. POP RIVET RUNNER TO ANGLES. SAME APPLICATION TO CROSS RUNNERS.



www.geometrik.com info@geometrik.com

Description:
**SEISMIC BRACING
 HEIGHT CHANGE**

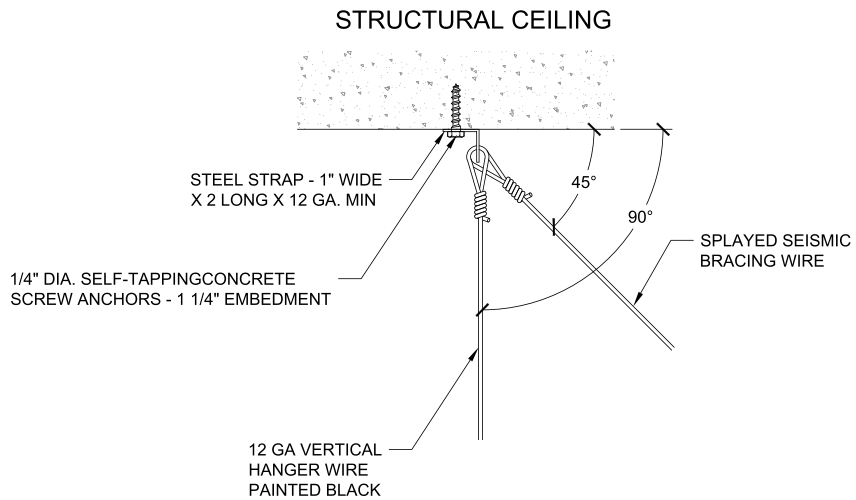
Product:
GEOPANEL GRILLE

Date: JAN 2018

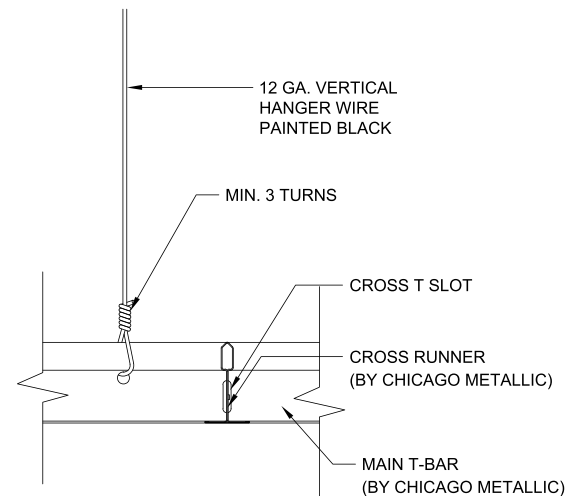
Drawn By: RC

Sheet No:

WG7.2



TYPICAL CONNECTION OF WIRES TO STRUCTURE.



TYPICAL SUSPENSION AT 4'-0" O.C. MAX. BETWEEN BRACING ASSEMBLY LOCATIONS.



www.geometrik.com info@geometrik.com

Description:
SEISMIC BRACING ASSEMBLY

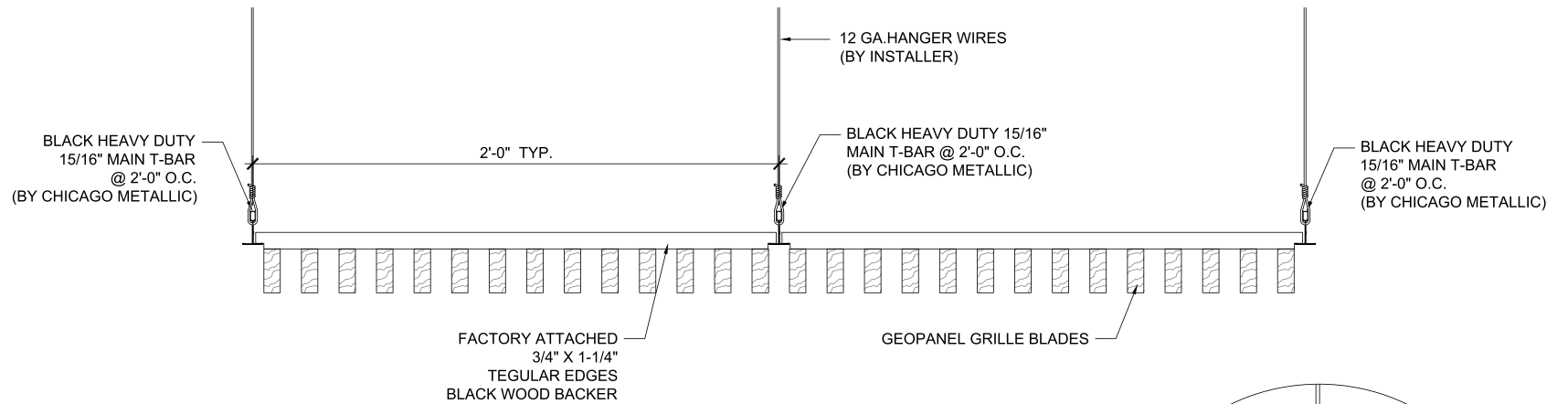
Product:
GEOPANEL GRILLE

Date: JAN 2018

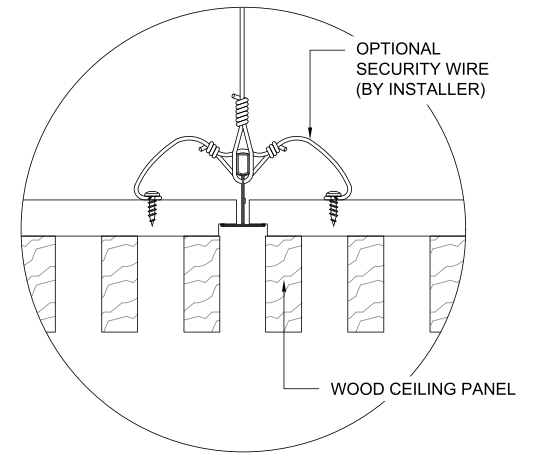
Drawn By: RC

Sheet No:

WG7.3



(STANDARD TEGULAR CONFIGURATION)



OPTIONAL SECURITY WIRES



www.geometrik.com info@geometrik.com

Description:
**STANDARD TEGULAR
 CONFIGURATION
 DETAILS**

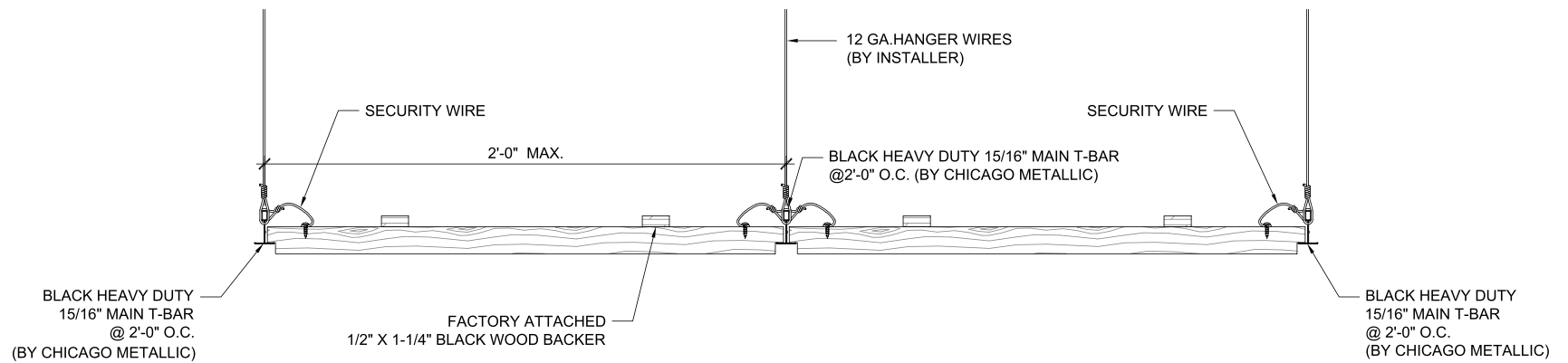
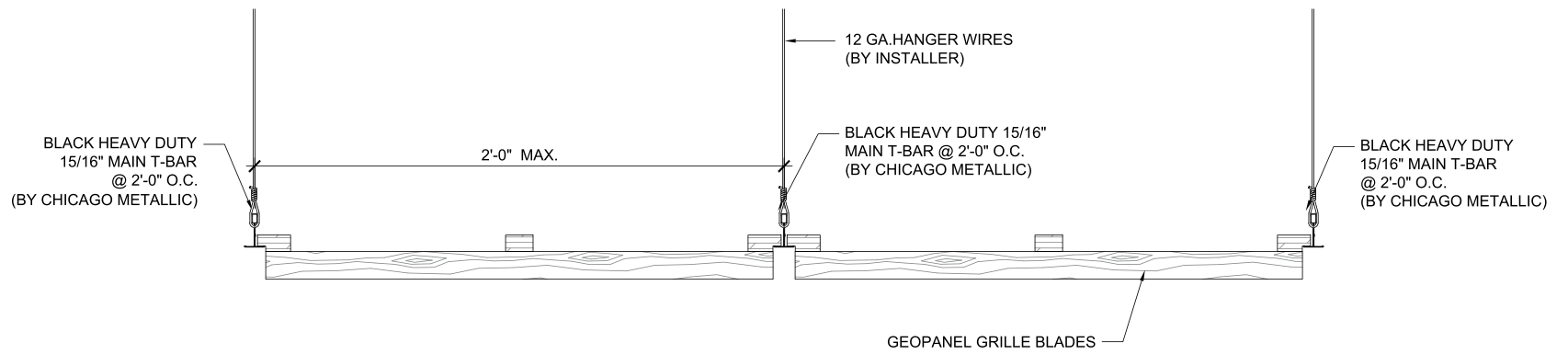
Product:
GEOPANEL GRILLE

Date: JAN 2018

Drawn By: MP

Sheet No:

WG8.0



www.geometrik.com info@geometrik.com

Description:
**OPTIONAL TEGULAR
 INSTALLATION
 DETAILS**

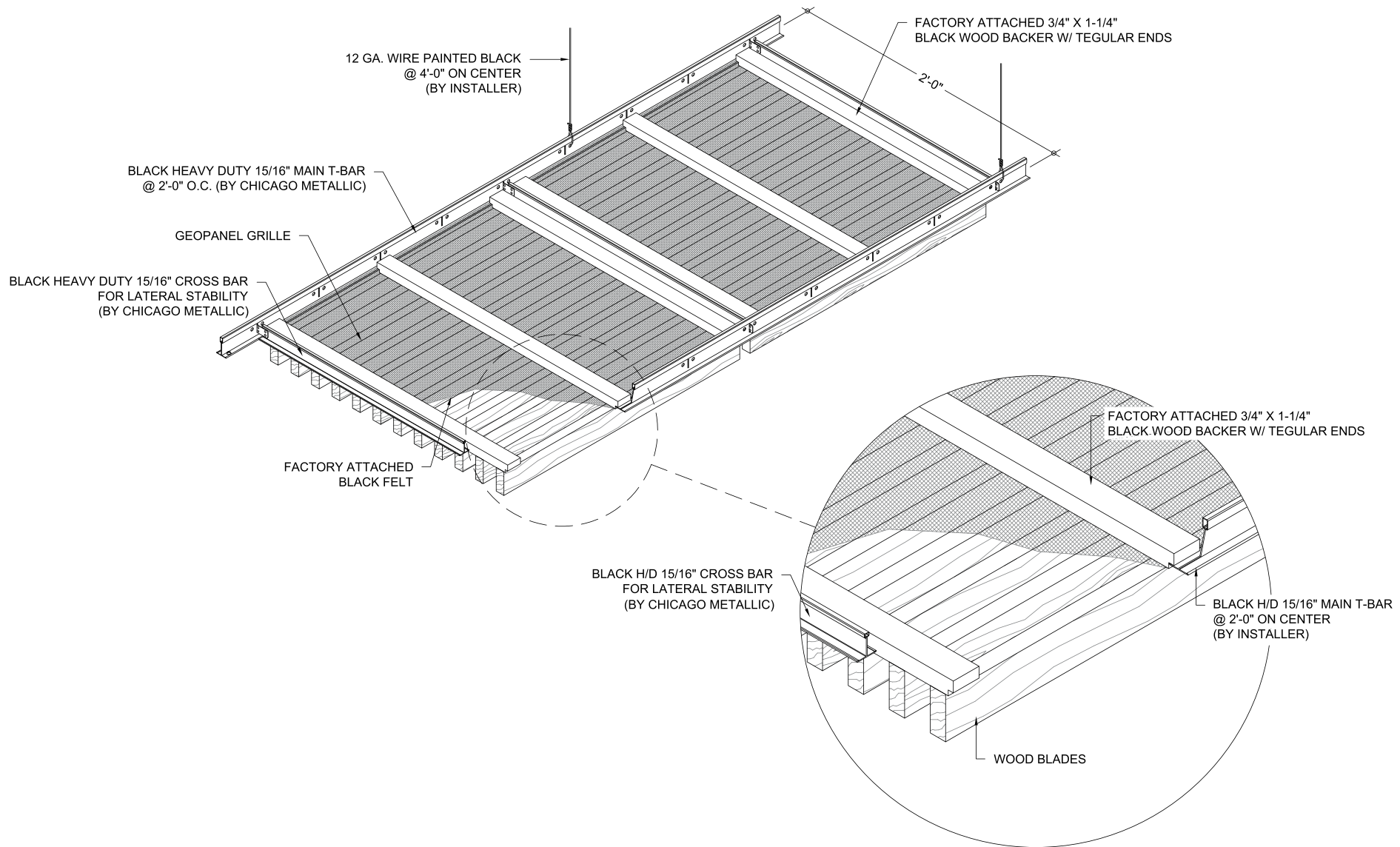
Product:
GEOPANEL GRILLE

Date: JAN 2018

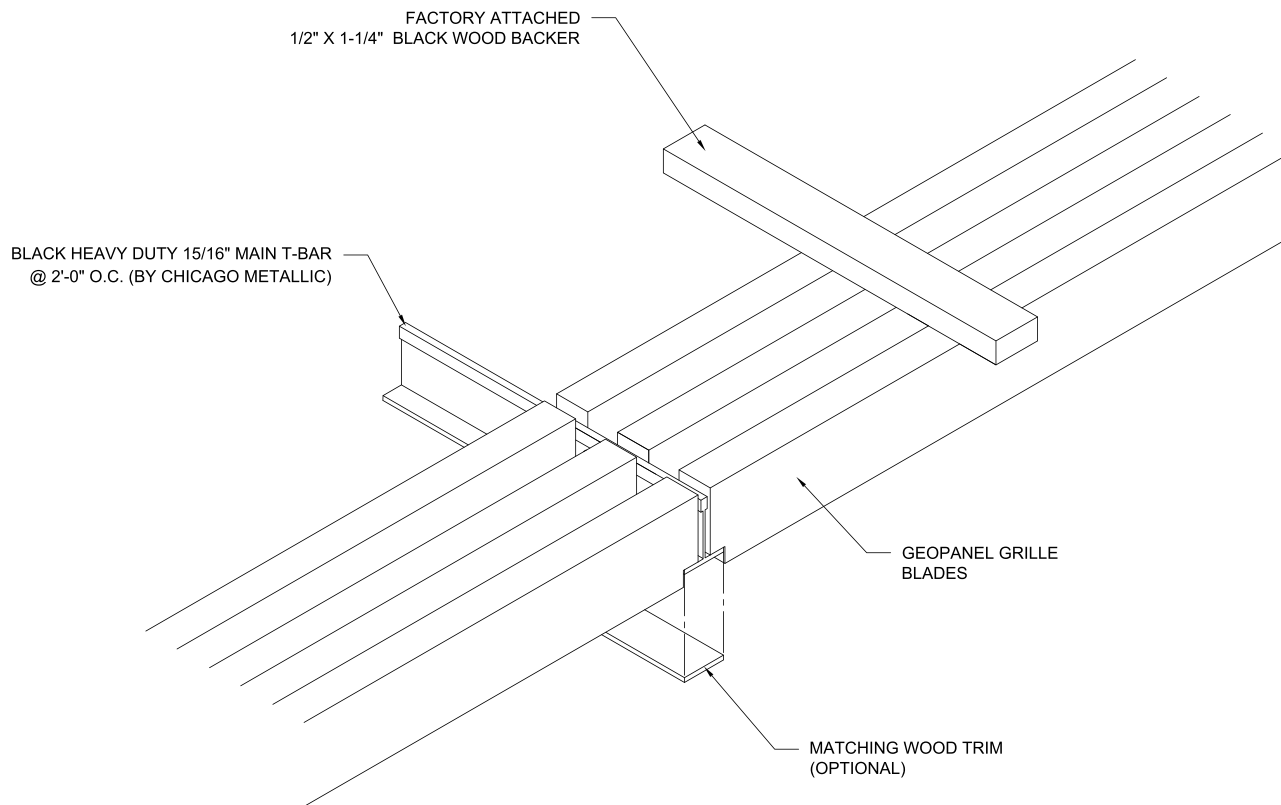
Drawn By: MP

Sheet No:

WG8.1



TEGULAR EDGE DETAIL



www.geometrik.com info@geometrik.com

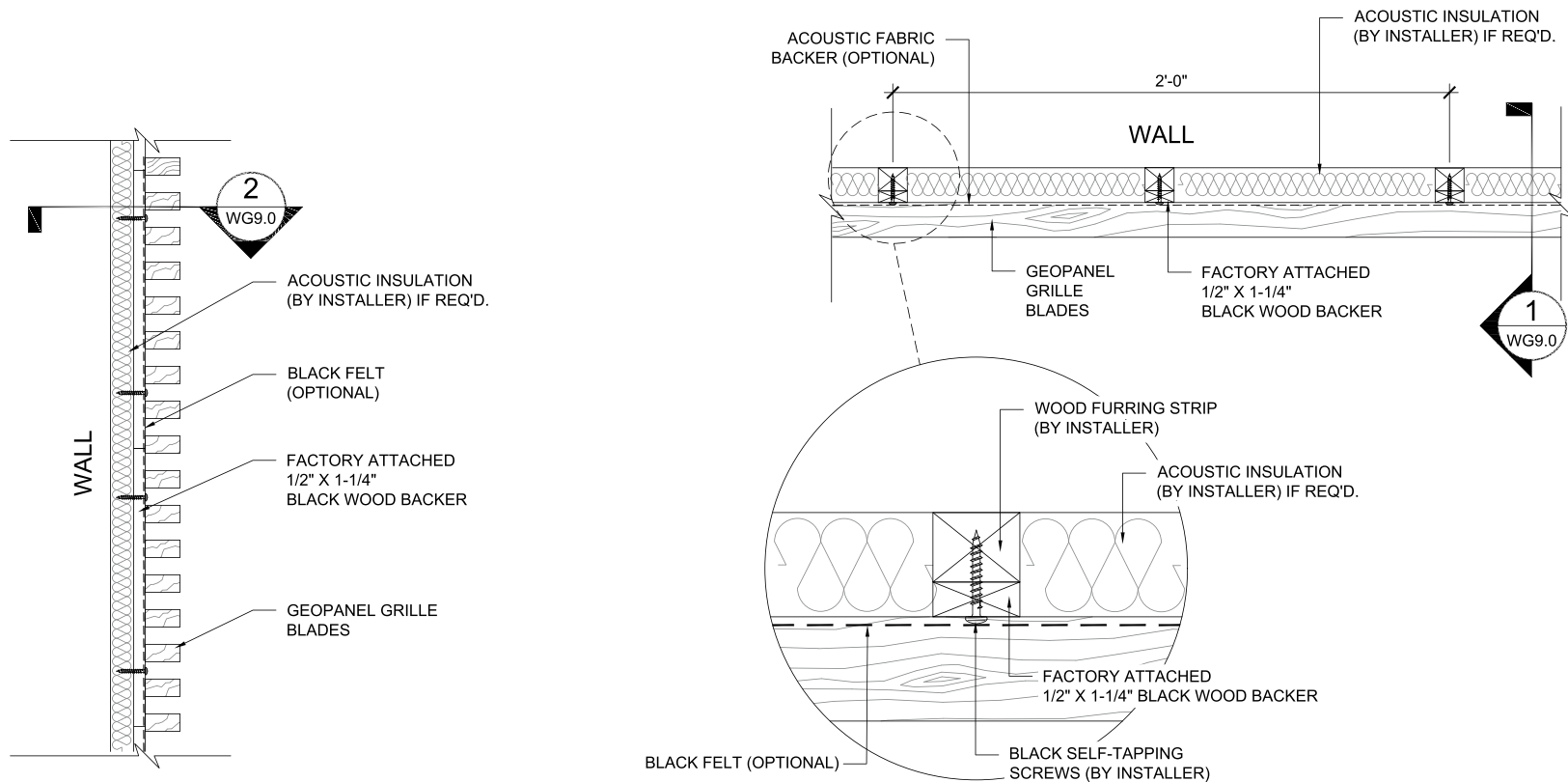
Description:
**OPTIONAL
DROP IN DETAIL**

Product:
GEOPANEL GRILLE

Date: JAN 2018 Drawn By: RC

Sheet No:

WG8.3



1 SIDE VIEW - SECTION
WG9.0 SCALE: NTS

2 TOP VIEW - SECTION
WG9.0 SCALE: NTS



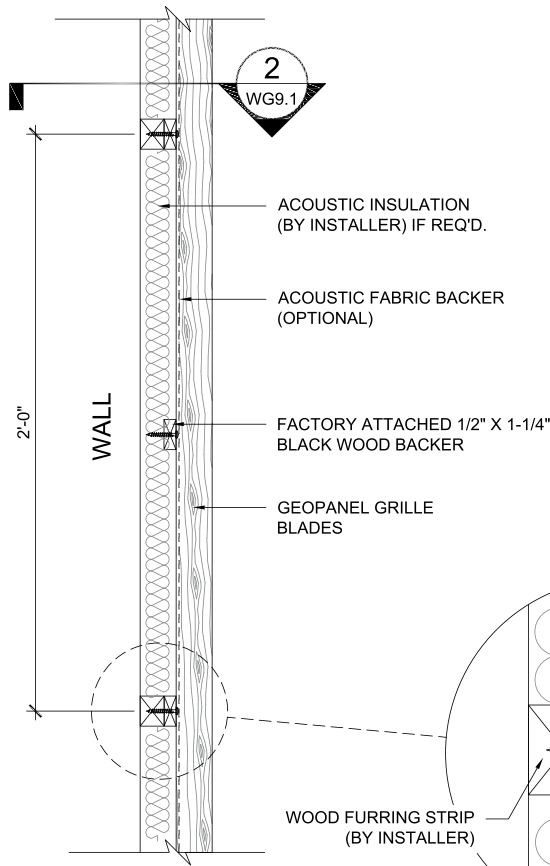
www.geometrik.com info@geometrik.com

Description:
**WALL MOUNT DETAILS
HORIZONTAL BLADE**

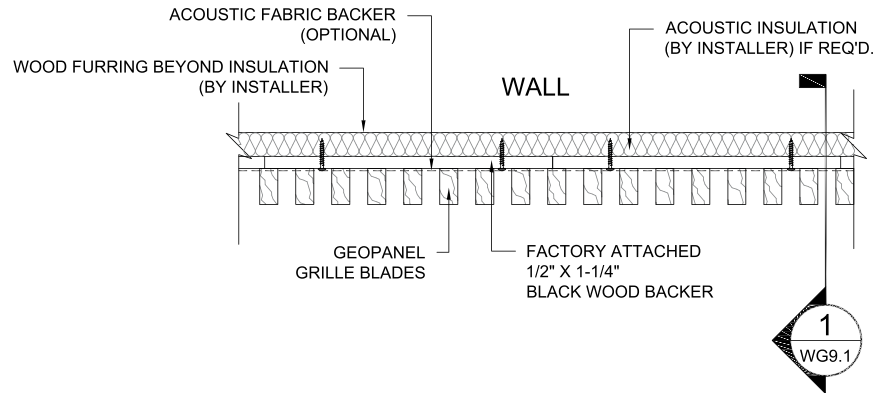
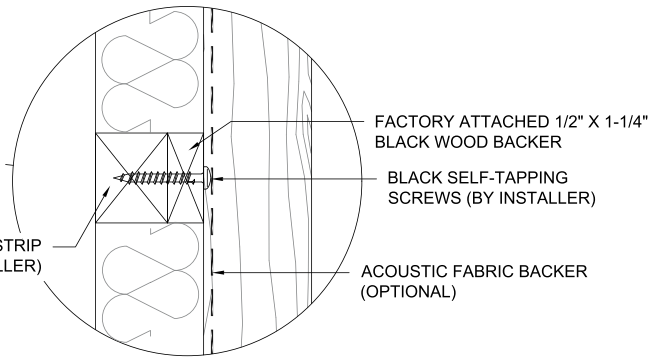
Product:
GEOPANEL GRILLE

Date: JAN 2018 Drawn By: RC

Sheet No:
WG9.0



1 SIDE VIEW - SECTION
WG9.1 SCALE: NTS



2 TOP VIEW - SECTION
WG9.1 SCALE: NTS